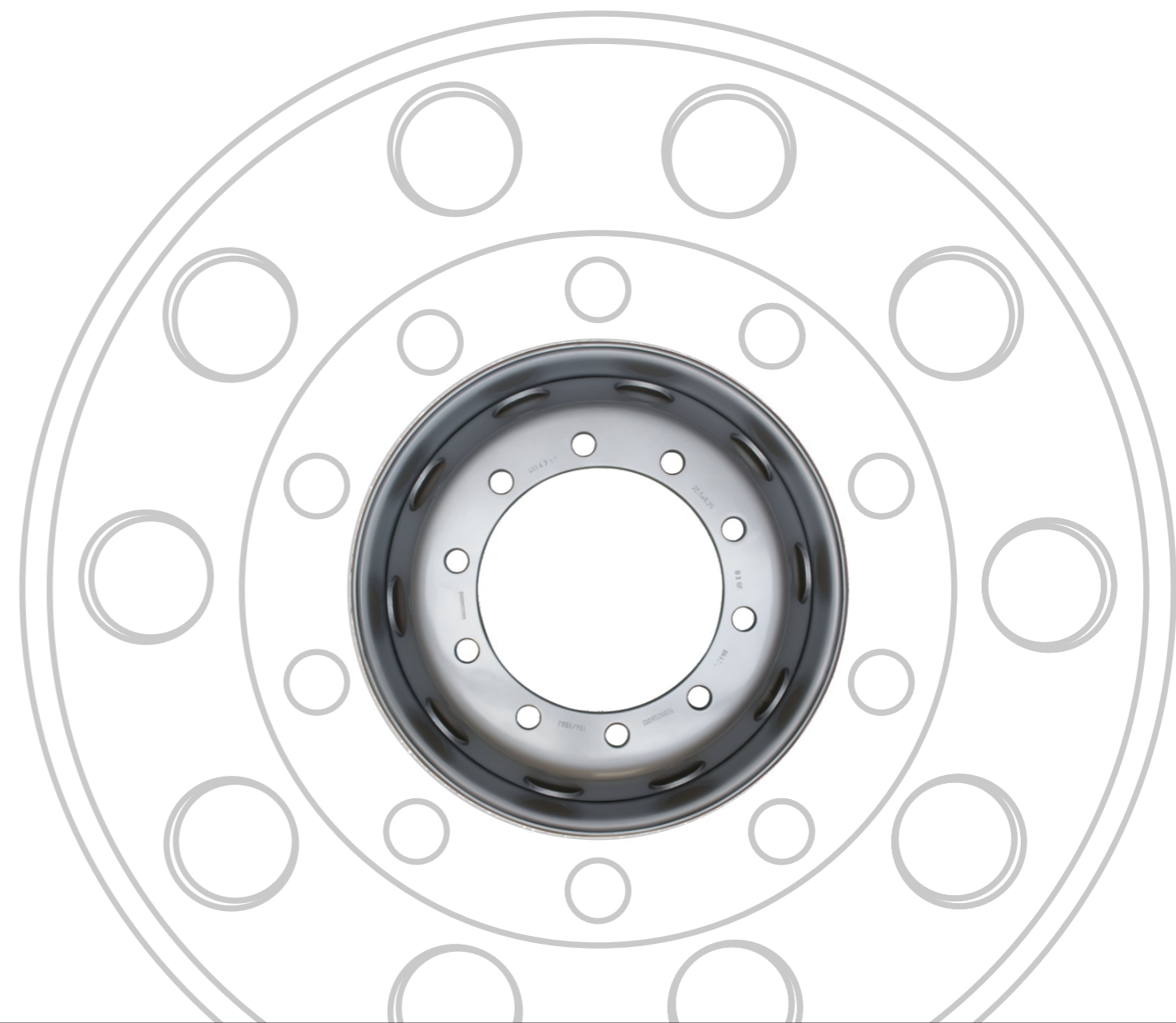


TUENZ[®] Commercial Wheels

TUENZ[®] *Your Professional, Reliable Partner*

Commercial Vehicle Wheels



Nantong TUENZ Wheels Co.,Ltd

No. 1, Taoyuan Road, Central Business District, Nantong,
Jiangsu Province, China 226000
Tel: +86 513 8118 7157
Fax: +86 513 8110 9500
E-mail: sales@tuenz.com
[Http://www.tuenz.com](http://www.tuenz.com)

TUENZ WHEEL is the Chinese leading enterprise focusing on manufacturing, R&D, sales & marketing of commercial vehicle wheels with over 10 years experiences.

In 2015, TUENZ successfully launched the wheel products line for Off-The-Road and Agriculture applications to fulfill global customer needs, that we have exported most important international markets including USA and Europe.

The company HQ is located in Nantong city, Jiangsu province, China, production bases are standing in 05 provinces of mainland China, with available production capacity of 3.6 million pieces annually for commercial vehicle applications.

TUENZ has accumulated professional know how on complete processes of wheels design, production, and quality control system. The company strictly follows ISO-TS 16949 management standard, as well as international quality norms – ETRTO, SAE, JIS, etc to guarantee best products supplied to our customers.

On top of that, the production line and key equipments are mainly imported from global leading suppliers in USA, Germany, etc. which ensures most operational efficiency and stability on wheels manufacturing process.

Nowadays, TUENZ wheel is representing as the best quality mark among Chinese wheels suppliers. The product covers full ranges of steel tube type and tubeless wheels, as well as aluminium commercial vehicle wheels. We have successfully supplied to important commercial vehicle and trailer manufacturers, well-known tire, auto parts brands and distributors, to over 60 countries globally.



TUENZ WHEELS ARE RUNNING IN 60 COUNTRIES GLOBALLY.



We are certified by:



Catalogue Guidance

Steel Tubeless Wheel For Commercial Vehicle

Brief Technic Introduction

01

Steel Tubeless Wheel For Commercial Vehicle

17.5" x 5.25"/6.00"/6.75" 19.5"x6.75"/7.50" 22.5" x 6.75"

02

Steel Tubeless Wheel For Commercial Vehicle

22.5" x 7.50"/8.25"/9.00"

03

Steel Tubeless Wheel For Commercial Vehicle

22.5" x 11.75"/13.00" 24.5" x 8.25"

04

Steel Tube Type Wheel For Commercial Vehicle

Brief Technic Introduction

05

Steel Tube Type Wheel For Commercial Vehicle

16" x 5.5"/6.0" 20" x 7.0"/7.5"/8.0"/8.5" 24" x 8.5"

06

Forged Aluminium Wheel For Commercial Vehicle - NEW

17.5" x 6.00" 19.5" x 7.50" 22.5" x 7.50"/8.25"/9.00"/11.75"/13.00" 24.5" x 8.25"

07

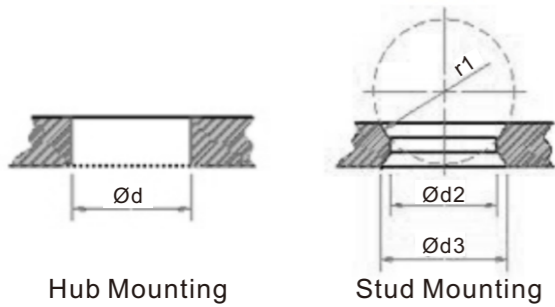
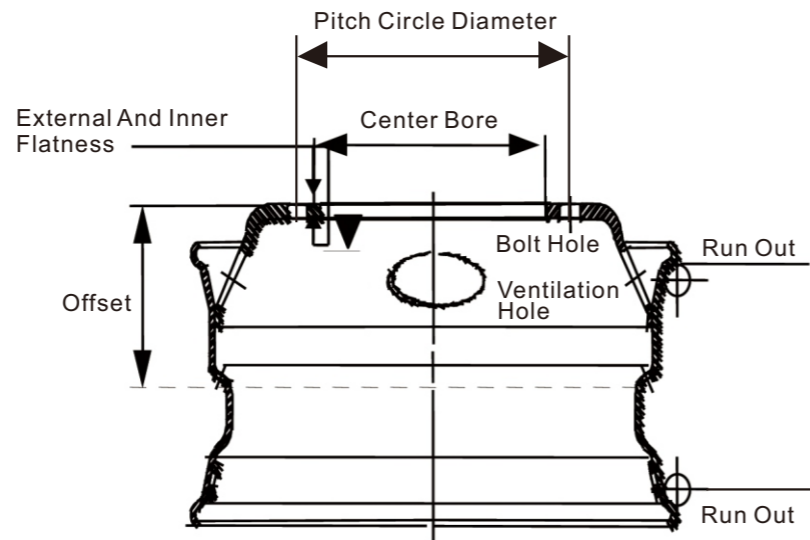
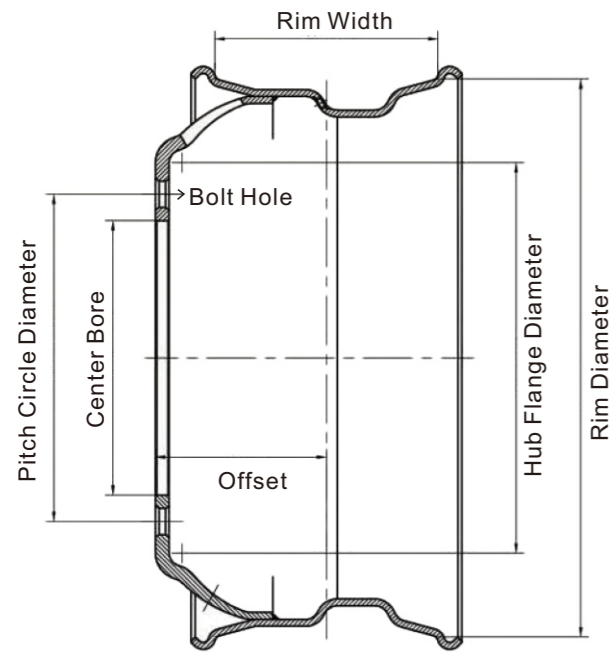
TUENZ Leading Production And Quality System

Key Equipments

08





Steel Tubeless Wheel





Designation	d2	d3	r1
A1	Ø18.5	Ø24.0	14
A2	Ø21.5	Ø27.0	16
A3	Ø26.0	Ø32.0	18
A4	Ø27.0	Ø32.0	18
A5	Ø31.9	Ø37.1	22.2
A6	Ø32.5	Ø37.0	22.2


TUENZ - STEEL TUBELESS WHEELS


17.5 x 5.25	TUENZ CODE	Bolt Holes	PCD (mm)	Fixation Hole (mm)	Center Bore (mm)	Offset (mm)	Valve hole diameter (mm)	Mounting Type	Maximum Load (KG)	Valve
	TL175525-01	5	Ø208	A6	Ø150	115	Ø9,7	stud	1250	ETRTO - V3.20.4
	TL175525-02	6	Ø205	Ø21	Ø161	120	Ø9,7	hub	1600	ETRTO - V3.20.4
Tyre sizes (17.5 x 5.25) 7 R17.5 - 8 R17.5 - 8.5 R17.5 - 205/75 R17.5										

17.5 x 6.00	TUENZ CODE	Bolt Holes	PCD (mm)	Fixation Hole (mm)	Center Bore (mm)	Offset (mm)	Valve hole diameter (mm)	Mounting Type	Maximum Load (KG)	Valve
	TL175600-01	5	Ø208	A6	Ø150	122	Ø9,7	stud	1850	ETRTO - V3.20.4
	TL175600-02	5	Ø208	A6	Ø150	115	Ø9,7	stud	1850	ETRTO - V3.20.4
	TL175600-03	5	Ø203.2	A6	Ø146	115	Ø9,7	stud	1850	ETRTO - V3.20.4
	TL175600-04	5	Ø203.2	A6	Ø146	127	Ø9,7	stud	1850	ETRTO - V3.20.4
	TL175600-05	6	Ø205	A2	Ø161	125	Ø9,7	stud	1850	ETRTO - V3.20.4
	TL175600-06	6	Ø205	Ø21	Ø160	127	Ø9,7	hub	1700	ETRTO - V3.20.4
	TL175600-07	6	Ø222.25	A6	Ø164	127	Ø9,7	stud	1850	ETRTO - V3.20.4
	TL175600-08	6	Ø222.25	A6	Ø164	135	Ø9,7	stud	1850	ETRTO - V3.20.4
Tyre sizes (17.5 x 6.00) 8 R17.5 - 8.5 R17.5 - 9 R17.5 - 9.5 R17.5 - 205/75 R17.5 - 215/70 R22.5 - 215/75 R17.5 - 225/75 R17.5										


17.5 x 6.75	TUENZ CODE	Bolt Holes	PCD (mm)	Fixation Hole (mm)	Center Bore (mm)	Offset (mm)	Valve hole diameter (mm)	Mounting Type	Maximum Load (KG)	Valve
	TL175675-01	6	Ø205	A2	Ø161	137	Ø9,7	stud	2360	ETRTO - V3.20.4
	TL175675-02	8	Ø275	Ø26	Ø221	141	Ø9,7	hub	2360	ETRTO - V3.20.4
	TL175675-03	10	Ø222.25	A5	Ø165	157	Ø15,7	stud	2360	ETRTO - V3.20.4
	TL175675-04	10	Ø225	Ø26	Ø176	145	Ø9,7	hub	2360	ETRTO - V3.20.5
Tyre sizes (17.5 x 6.75) 8 R17.5 - 8.5 R17.5 - 9 R17.5 - 9.5 R17.5 - 10 R17.5 - 205/75 R17.5 - 215/75 R17.5 - 225/70 R17.5 - 225/75 R17.5 - 235/75 R17.5										

19.5 x 6.75	TUENZ CODE	Bolt Holes	PCD (mm)	Fixation Hole (mm)	Center Bore (mm)	Offset (mm)	Valve hole diameter (mm)	Mounting Type	Maximum Load (KG)	Valve
	TL195675-01	6	Ø222.25	A5	Ø164	140	Ø15,7	stud	2180	ETRTO - V3.20.4
	TL195675-02EV	8	Ø275	Ø24	Ø221	145	Ø15,7	hub	2500	ETRTO - V3.22.1
Tyre sizes (19.5 x 6.75) 245/70 R19.5 - 265/70 R19.5										


19.5x7.50	TUENZ CODE	Bolt Holes	PCD (mm)	Fixation Hole (mm)	Center Bore (mm)	Offset (mm)	Valve hole diameter (mm)	Mounting Type	Maximum Load (KG)	Valve
	TL195750-01EV	8	Ø275	Ø24	Ø221	155	Ø9,7	hub	2800	ETRTO - V3.22.1
	TL195750-02EV	8	Ø275	A4	Ø221	155	Ø9,7	stud	2800	ETRTO - V3.22.1
Tyre sizes (19.5 x 7.50) 285/70 R19.5										

22.5 x 6.75	TUENZ CODE	Bolt Holes	PCD (mm)	Fixation Hole (mm)	Center Bore (mm)	Offset (mm)	Valve hole diameter (mm)	Mounting Type	Maximum Load (KG)	Valve
	TL225675-01	6	Ø222.25	A5	Ø164	140	Ø9,7	stud	2800	ETRTO - V3.20.4
	TL225675-02	8	Ø285	A5	Ø221	140	Ø9,7	stud	2800	ETRTO - V3.20.4
	TL225675-03	10	Ø335	Ø26	Ø281	155	Ø9,7	stud	2800	ETRTO - V3.20.4
Tyre sizes (22.5 x 6.75) 10 R22.5 - 255/70 R22.5										

TUENZ - STEEL TUBELESS WHEELS


22.5 x 7.50	TUENZ CODE	Bolt Holes	PCD (mm)	Fixation Hole (mm)	Center Bore (mm)	Offset (mm)	Valve hole diameter (mm)	Mounting Type	Maximum Load (KG)	Valve
	TL225750-01	8	Ø285	A5	Ø221	162	Ø9,7	stud	3150	ETRTO - V3.20.4
	TL225750-02	8	Ø285	A5	Ø221	153	Ø9,7	stud	3150	ETRTO - V3.20.4
	TL225750-04EV	10	Ø335	Ø26	Ø281	159	Ø9,7	hub	3250	ETRTO - V3.22.1
	TL225750-05	10	Ø335	Ø26	Ø281	160	Ø9,7	hub	3150	ETRTO - V3.20.4
	TL225750-07	10	Ø335	A3	Ø281	160	Ø9,7	stud	3150	ETRTO - V3.20.4
	TL225750-08	10	Ø335	A4	Ø281	160	Ø9,7	stud	3000	ETRTO - V3.20.4
	TL225750-09	8	Ø275	Ø24	Ø221	153	Ø9,7	hub	3000	ETRTO - V3.20.4
	TL225750-10	8	Ø275	Ø24	Ø221	160	Ø9,7	hub	2800	ETRTO - V3.20.4
	TL225750-11	10	Ø285.75	Ø26	Ø220	164	Ø15,7	hub	2800	ETRTO - V3.20.4

Tyre sizes (22.5 x 7.5) 10 R22.5 - 11 R22.5 - 255/70 R22.5 - 275/70 R22.5 - 275/80 R22.5

22.5 x 8.25	TUENZ CODE	Bolt Holes	PCD (mm)	Fixation Hole (mm)	Center Bore (mm)	Offset (mm)	Valve hole diameter (mm)	Mounting Type	Maximum Load (KG)	Valve
	TL225825-01EV	10	Ø335	Ø26	Ø281	170	Ø9,7	hub	3550	ETRTO - V3.22.1
	TL225825-02	10	Ø335	Ø26	Ø281	165	Ø9,7	hub	3750	ETRTO - V3.20.4
	TL225825-03	10	Ø335	Ø26	Ø281	170	Ø9,7	hub	3550	ETRTO - V3.20.4
	TL225825-04	10	Ø335	A4	Ø281	165	Ø9,7	stud	3750	ETRTO - V3.20.4
	TL225825-05	10	Ø335	A4	Ø281	170	Ø9,7	stud	3550	ETRTO - V3.20.4
	TL225825-06	8	Ø285	A5	Ø221	165	Ø9,7	stud	3550	ETRTO - V3.20.4
	TL225825-07	10	Ø285	Ø26	Ø220	169	Ø9,7	hub	3550	ETRTO - V3.20.4
	TL225825-08	10	Ø285.75	A5	Ø221	168	Ø15,7	stud	3650	TRA - 572
	TL225825-09	10	Ø285.75	Ø26	Ø220	168	Ø15,7	hub	3311	TRA - 572


22.5 x 8.25	TUENZ CODE	Mounting Type	Center Bore (mm)	Maximum Load (Kg)	Valve hole diameter (mm)	Valve
	TL225825-10DW	Demountable Wheel	120.6	3311	Ø15,7	

Tyre sizes (22.5 x 8.25) 11 R22.5 - 12 R22.5 - 265/70 R22.5 - 275/70 R22.5 - 275/80 R22.5 - 295/80 R22.5 - 305/70 R22.5


22.5 x 9.00	TUENZ CODE	Bolt Holes	PCD (mm)	Fixation Hole (mm)	Center Bore (mm)	Offset (mm)	Valve hole diameter (mm)	Mounting Type	Maximum Load (KG)	Valve
	TL225900-01	10	Ø335	Ø26	Ø281	176	Ø9,7	hub	3750	ETRTO - V3.20.4
	TL225900-02EV	10	Ø335	Ø26	Ø281	175	Ø9,7	hub	4000	ETRTO - V3.22.1
	TL225900-03	8	Ø285	A5	Ø221	175	Ø9,7	stud	3750	ETRTO - V3.20.4
	TL225900-04	10	Ø285.75	Ø26	Ø220	175	Ø15,7	hub	4000	TRA - 572
	TL225900-05	10	Ø285.75	Ø26	Ø220	178	Ø15,7	hub	4100	TRA - 572
	TL225900-06	10	Ø285.75	A5	Ø221	175	Ø15,7	stud	4000	TRA - 572
	TL225900-07	10	Ø335	A4	Ø281	176	Ø9,7	stud	4000	ETRTO - V3.20.4

Tyre sizes (22.5 x 9.0) 12 R22.5 - 13 R22.5 - 285/60 R22.5 - 295/60 R22.5 - 295/80 R22.5 - 305/60 R22.5 - 315/60 R22.5 - 315/70 R22.5 - 315/75 R22.5 - 315/80 R22.5


TUENZ - STEEL TUBELESS WHEELS

22.5 x 11.75	TUENZ CODE	Bolt Holes	PCD (mm)	Fixation Hole (mm)	Center Bore (mm)	Offset (mm)	Valve hole diameter (mm)	Mounting Type	Maximum Load (KG)	Valve
	TL2251175-01EV	10	Ø335	Ø26	Ø281	inset 65	Ø9,7	hub	4500	ETRTO - V3.22.1
	TL2251175-02EV	10	Ø335	A3	Ø281	inset 0	Ø15,7	stud	4500	ETRTO - V3.21.3
	TL2251175-03EV	10	Ø335	Ø26	Ø281	inset 120	Ø9,7	hub	4500	ETRTO - V3.22.1
	TL2251175-04EV	10	Ø335	Ø26	Ø281	inset 150	Ø9,7	hub	4500	ETRTO - V3.22.1
	TL2251175-05EV	10	Ø335	Ø26	Ø281	inset 0	Ø15,7	hub	4500	ETRTO - V3.21.3
	TL2251175-06EV	8	Ø275	Ø24	Ø221	0	Ø9,7	hub	4500	ETRTO - V3.22.1
	TL2251175-07	10	Ø285.75	Ø26	Ø220	140	Ø15,7	hub	4500	ETRTO - V3.21.3
	TL2251175-08	10	Ø285.75	Ø26	Ø220	inset 0	Ø15,7	hub	4500	ETRTO - V3.21.3
	TL2251175-09	10	Ø285.75	A5	Ø221	135	Ø15,7	stud	4500	ETRTO - V3.21.3

Tyre sizes (22.5 x 11.75) 365/70 R22.5 - 375/90 R22.5 - 385/55 R22.5 - 385/65 R22.5 - 425/65 R22.5

22.5 x 13.00	TUENZ CODE	Bolt Holes	PCD (mm)	Fixation Hole (mm)	Center Bore (mm)	Offset (mm)	Valve hole diameter (mm)	Mounting Type	Maximum Load (KG)	Valve
	TL2251300-01	10	Ø285.75	Ø26	Ø220	inset 0	Ø9,7	hub	5500	ETRTO - V3.22.1
	TL2251300-02	10	Ø335	Ø26	Ø281	inset 0	Ø15,7	hub	5500	ETRTO - V3.21.3

Tyre sizes (22.5 x 13.00) 415/45 R22.5 - 425/65 R22.5 - 445/65 R22.5

24.5 x 8.25	TUENZ CODE	Bolt Holes	PCD (mm)	Fixation Hole (mm)	Center Bore (mm)	Offset (mm)	Valve hole diameter (mm)	Mounting Type	Maximum Load (KG)	Valve
	TL245825-01	10	Ø285.75	Ø26	Ø220	168	Ø15,7	hub	3311	TRA - 572
	TL245825-02	10	Ø335	Ø26	Ø281	170	Ø9,7	hub	3550	ETRTO - V3.22.1

Tyre sizes (24.5 x 8.25) 295/80 R24.5 - 305/75 R22.5

Notice:

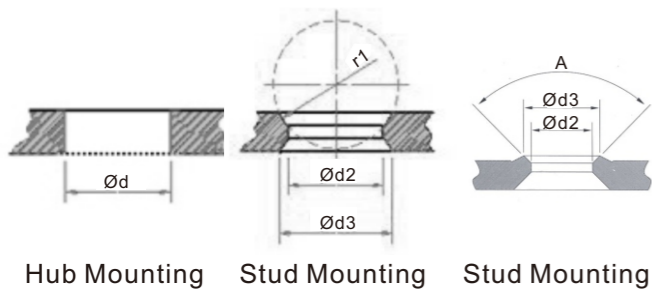
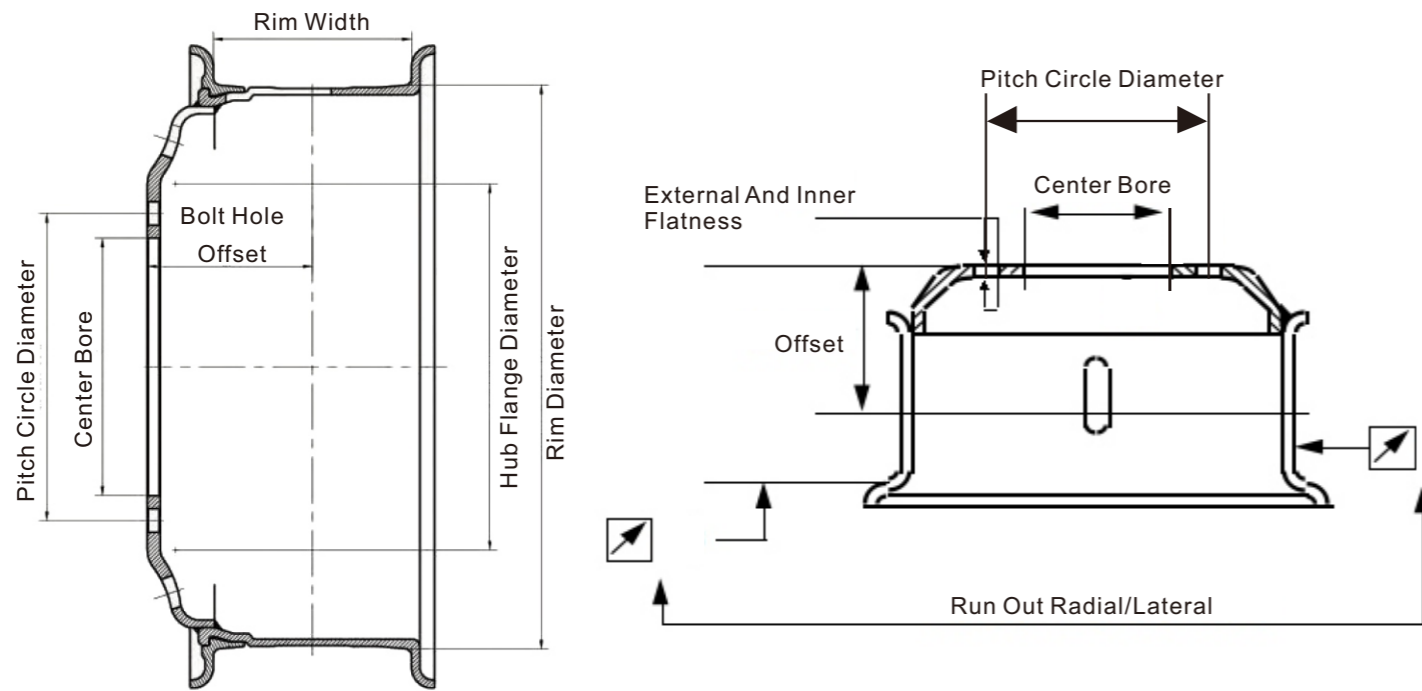
*All TUENZ product code end with "EV" stands for "External Valve", or for "Disc Brake" application.

*The special/unique "Disc Machining" manufacturing process is available for TUENZ wheel product, to be prior noticed.

*TUENZ is always expanding wheel product ranges to fulfill global customer needs, this catalogue includes but not only the wheels we're supplying. Please consult with us for any of your requirements.



Steel Tube Type Wheel



Designation	d2	d3	r1
A1	Ø18.5	Ø24.0	14
A2	Ø21.5	Ø27.0	16
A3	Ø26.0	Ø32.0	18
A4	Ø27.0	Ø32.0	18
A5	Ø31.9	Ø37.1	22.2
A6	Ø32.5	Ø37.0	22.2
Designation	d2	d3	Angle A
D1	Ø16.8	Ø21.6	90°

TUENZ - STEEL TUBE TYPE WHEELS

16 x 5.5F	TUENZ CODE	Bolt Holes	PCD (mm)	Fixation Hole (mm)	Center Bore (mm)	Offset (mm)	Valve hole diameter (mm)	Mounting Type	Maximum Load (KG)
	TT1655F-01	6	Ø184.2	D1	Ø142	127	16 X 22	stud	1450
	TL1655F-02	8	Ø184.2	D1	Ø142	125	16 X 22	stud	1450
Tyre sizes (16 x 5.5F)		7.5 R16							

16 x 6.0G	TUENZ CODE	Bolt Holes	PCD (mm)	Fixation Hole (mm)	Center Bore (mm)	Offset (mm)	Valve hole diameter (mm)	Mounting Type	Maximum Load (KG)
	TT1660G-01	6	Ø205	Ø21	Ø160	127	16 X 22	hub	1475
	TT1660G-02	6	Ø205	A1	Ø161	115	12.5 X 41.2	stud	1175
	TT1660G-03	6	Ø205	A2	Ø161	INSET 120	12.5 X 47	stud	1475
Tyre sizes (16 x 6.0G)		7.5 R16							

20 x 7.0	TUENZ CODE	Bolt Holes	PCD (mm)	Fixation Hole (mm)	Center Bore (mm)	Offset (mm)	Valve hole diameter (mm)	Mounting Type	Maximum Load (KG)
	TT2070-01	6	Ø222.25	A5	Ø165	160	12.5 X 79.4	stud	2500
	TT2070-02	8	Ø275	Ø24	Ø221	153	12.5 X 79.4	hub	2500
	TT2070-03	8	Ø275	A4	Ø211	153	12.5 X 79.4	stud	2500
	TT2070-04	8	Ø285	A5	Ø221	162	15.0 X 79.4	stud	2725
	TT2070-05	10	Ø335	Ø26	Ø281	153	12.5 X 79.4	hub	2500
Tyre sizes (20 x 7.0)		9.00 R20							

20 x 7.5	TUENZ CODE	Bolt Holes	PCD (mm)	Fixation Hole (mm)	Center Bore (mm)	Offset (mm)	Valve hole diameter (mm)	Mounting Type	Maximum Load (KG)
	TT2075-01	10	Ø285.75	Ø26	Ø220	170	12.5 X 100	hub	2994
	TT2075-02	10	Ø285.75	A5	Ø221	165	12.5 X 100	stud	2998
	TT2075-03	10	Ø335	Ø26	Ø281	160	12.5 x 100	hub	3000
	TT2075-04	10	Ø335	A4	Ø281	166	12.5 x 100	stud	3000
	TT2075-05	8	Ø285	A5	Ø221	165	12.5 x 100	stud	3000
Tyre sizes (20 x 7.5)		10.00 R20							

20 x 8.0	TUENZ CODE	Bolt Holes	PCD (mm)	Fixation Hole (mm)	Center Bore (mm)	Offset (mm)	Valve hole diameter (mm)	Mounting Type	Maximum Load (KG)
	TT2080-01	10	Ø285.75	Ø26	Ø220	170	12.5 X 100	hub	3250
	TT2080-02	10	Ø285.75	A5	Ø221	175	15.5 X 100	stud	3265
	TT2080-03	10	Ø335	Ø26	Ø281	172	12.5 X 100	hub	3250
	TT2080-04	10	Ø335	A4	Ø281	172	12.5 X 100	stud	3250
Tyre sizes (20 x 8.0)		11.00 R20							

20 x 8.5	TUENZ CODE	Bolt Holes	PCD (mm)	Fixation Hole (mm)	Center Bore (mm)	Offset (mm)	Valve hole diameter (mm)	Mounting Type	Maximum Load (KG)
	TT2085-01	10	Ø335	Ø26	Ø281	173	12.5 X 100	hub	3750
	TT2085-02	10	Ø335	Ø26	Ø281	178	12.5 X 100	hub	3750
	TT2085-03	10	Ø335	A4	Ø281	173	12.5 X 100	stud	3750
Tyre sizes (20 x 8.5)		12.00 R20							

24 x 8.5	TUENZ CODE	Bolt Holes	PCD (mm)	Fixation Hole (mm)	Center Bore (mm)	Offset (mm)	Valve hole diameter (mm)	Mounting Type	Maximum Load (KG)
	TT2485-01	10	Ø335	Ø26	Ø281	175	15.0 X 100	hub	4500
	TT2485-02	10	Ø335	A4	Ø281	175	15.0 X 100	stud	4500
Tyre sizes (24 x 8.5)		12.00 R24							

Forged Aluminium Wheel For Commercial Vehicle - NEW

17.5 x 6.00	TUENZ CODE	Bolt Holes	PCD (mm)	Fixation Hole (mm)	Center Bore (mm)	Offset (mm)	Weight (KG)	Maximum Load (KG)	Valve
	TUAL175600-01	10	Ø225	A6	Ø176	135	13.5	2500	TR 544D

Tyre sizes (17.5 x 6.00) 8 R17.5 - 8.5 R17.5 - 9 R17.5 - 9.5 R17.5 - 205/75 R17.5 - 255/70 R22.5 - 215/75 R17.5 - 225/75 R17.5 - 275/80 R17.5

19.5 x 7.50	TUENZ CODE	Bolt Holes	PCD (mm)	Fixation Hole (mm)	Center Bore (mm)	Offset (mm)	Weight (KG)	Maximum Load (KG)	Valve
	TUAL195750-01	8	Ø275	Ø24	Ø221	156	17.70	3000	TR 544C
	TUAL195750-02	8	Ø275	A4	Ø221	156	17.60	3000	TR 544C

Tyre sizes (19.5 x 7.50) 285/70 R19.5

22.5 x 7.50	TUENZ CODE	Bolt Holes	PCD (mm)	Fixation Hole (mm)	Center Bore (mm)	Offset (mm)	Weight (KG)	Maximum Load (KG)	Valve
	TUAL225750-01	10	Ø275	A5	Ø221	162	22.70	3550	TR 544
	TUAL225750-02	8	Ø285	A5	Ø221	162	25.10	3550	PVR119
	TUAL225750-03	8	Ø275	A5	Ø221	162	25.40	3550	PVR119
	TUAL225750-04	8	Ø275	Ø24	Ø221	162	24.87	3550	PVR119

Tyre sizes (22.5 x 7.5) 10 R22.5 - 11 R22.5 - 255/70 R22.5 - 275/70 R22.5 - 275/80 R22.5

22.5 x 8.25	TUENZ CODE	Bolt Holes	PCD (mm)	Fixation Hole (mm)	Center Bore (mm)	Offset (mm)	Weight (KG)	Maximum Load (KG)	Valve
	TUAL225825-01	10	Ø335	Ø26.75	Ø281	168.5	24.40	3650	TR 544D
	TUAL225825-02	10	Ø335	Ø26.75	Ø281	166.5	23.80	3360	TR 544D
	TUAL225825-03	10	Ø335	A5	Ø281	168	25.80	3650	ETRTO - V3.20.2
	TUAL225825-04	10	Ø285.75	A5	Ø221	168.5	24.01	3360	TR 544D
	TUAL225825-05	10	Ø285.75	Ø26	Ø220	168.5	24.70	7400LBS	TR 544D
	TUAL225825-06	10	Ø285.75	Ø26.75	Ø220	169	23.50	3654	TR 544
	TUAL225825-07	10	Ø285.75	Ø26.75	Ø220	168	27.60	3650	ETRTO - V3.20.2

Tyre sizes (22.5 x 8.25) 11 R22.5 - 12 R22.5 - 265/70 R22.5 - 275/70 R22.5 - 275/80 R22.5 - 295/80 R22.5 - 305/70 R22.5

22.5 x 9.00	TUENZ CODE	Bolt Holes	PCD (mm)	Fixation Hole (mm)	Center Bore (mm)	Offset (mm)	Weight (KG)	Maximum Load (KG)	Valve
	TUAL225900-01	10	Ø335	Ø26.75	Ø281	177	24.94	4125	TR 544D
	TUAL225900-02	10	Ø335	Ø26.75	Ø281	176	24.51	4125	TR 544
	TUAL225900-03	10	Ø335	A4	Ø281	177	26.40	4125	ETRTO - V3.20.2
	TUAL225900-04	10	Ø285.75	A4	Ø220	177	27.90	4125	ETRTO - V3.20.2

Tyre sizes (22.5 x 9.0) 12 R22.5 - 13 R22.5 - 285/60 R22.5 - 295/60 R22.5 - 295/80 R22.5 - 305/60 R22.5 - 315/60 R22.5 - 315/70 R22.5 - 315/75 R22.5 - 315/80 R22.5

22.5 x 11.75	TUENZ CODE	Bolt Holes	PCD (mm)	Fixation Hole (mm)	Center Bore (mm)	Offset (mm)	Weight (KG)	Maximum Load (KG)	Valve
	TUAL2251175-01	10	Ø335	Ø26	Ø281	inset 120	24.73	4500	TR 542
	TUAL2251175-02	10	Ø335	Ø26	Ø281	inset 0	23.40	4510	TR 544D

Tyre sizes (22.5 x 11.75) 365/70 R22.5 - 375/90 R22.5 - 385/55 R22.5 - 385/65 R22.5 - 425/65 R22.5

22.5 x 13.00	TUENZ CODE	Bolt Holes	PCD (mm)	Fixation Hole (mm)	Center Bore (mm)	Offset (mm)	Weight (KG)	Maximum Load (KG)	Valve
	TUAL2251300-01	10	Ø285.75	Ø26	Ø221	inset -14	33.83	5200	TR 544D

Tyre sizes (22.5 x 13.00) 415/45 R22.5 - 425/65 R22.5 - 445/65 R22.5

24.5 x 8.25	TUENZ CODE	Bolt Holes	PCD (mm)	Fixation Hole (mm)	Center Bore (mm)	Offset (mm)	Weight (KG)	Maximum Load (KG)	Valve
	TUAL245825-01	10	Ø285.75	Ø26.75	Ø220	168	29.6	7400LBS	TR 544
		10	Ø335	A4	Ø281	168	27.78	7400LBS	TR 544D

Tyre sizes (24.5 x 8.25) 295/80 R24.5 - 305/75 R22.5

TUENZ ADVANCED PRODUCTION LINE TO ENSURE BEST QUALITY WHEELS



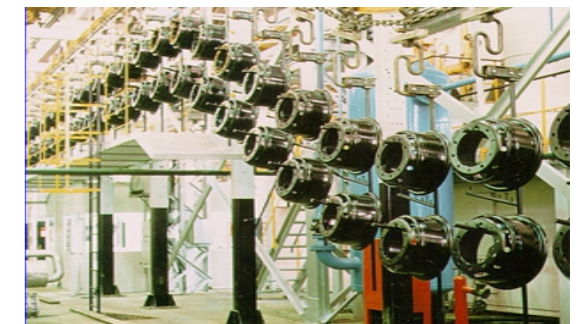
WELDING ROBOT



TUENZ PRODUCTION LINE



AMERICAN DISC SPINNING MACHINE



E-COAT PAINTING LINE

TUENZ LEADING QUALITY SYSTEM TO GUARANTEE MOST RELIABLE PRODUCTS



SPECTRUM ANALYZER FOR MATERIAL METAL ELEMENTS ANALYSIS



SALT SPRAY MACHINE



CORNERING FATIGUE TEST (BENDING)



RADIAL FATIGUE TEST (RIM ROLLING)